

Power Transformer Units Condition Assessment Using Virtual Instrumentation

T. Chiulan

SC ICEMENERG SA, Bd. Energeticienilor 8, Sect. 3, Bucharest, Romania, ++40726.34.34.44, ctraian@gmail.com

B. Pantelimon

Polytechnic University Bucharest, Sp. Independentei 313, Bucharest, Romania, +4021.402.92.58, bpante@electro.masuri.pub.ro

Introduction

The international standards [1] establish certain conditions for the transformer unit short - circuit impedance measurement on the rated tap on the first and last taps of the on-load tap changer. In order to perform the system calculations and to adjust the system protections it is necessary to know the values of the short-circuit impedances on each tap, especially then when the variation range is relatively wide.

This becomes imperative when the operation of two different type transformer units connected in parallel is analyzed [2].

The short-circuit impedance measurement is a method that has been also used for diagnosing the winding state on site and it is utilized as such in the maintenance activity. It has been included in national norms [3], but it has not been applied until now due to the difficulties encountered during the low and highly varying voltage measurements.

As a result of the research that has been carried out so far an operative highly efficient measurement system has been developed. By means of this measurement system a large amount of measurements have been performed whose results have been afterwards compared with those calculated by the designer and those measured at voltages close to the short-circuit ones by the manufacturer (there, where these measurements have been made on all the on-load tap changer taps – OLTC).

Low voltage short-circuit impedance measurement

The low voltage short -circuit impedance measurement by means of a low voltage three phase power source can be performed because the impedance value does not depend on the applied voltage.

The low voltage short-circuit impedance measurement requires utilization of highly accurate

instrumentation on the one side, and elimination of the errors caused by the fluctuations of low voltage power networks due to welding equipment, etc., on the other.

In order to carry out these measurements the diagram presented in Fig. 1 has been developed. The diagram uses a data acquisition and processing system (DAQ) that enables the evaluation of the measured data, the short-circuit impedance variation curve plotting on the spot, Fig.3, as well as the subsequent processing obtained data. The processing system also corrects the data with the supply voltage frequency variation.

The software application, whose user interface is presented in Fig. 2, has been developed by means of the virtual instrumentation using the LabVIEW programming environment [4, 5, 6].

The user sets the tap from which the measurements start and the direction variation of the taps. Thus, the software application changes the position of the tap automatically after each measurement, according to the selected direction without requiring the user's intervention.

The measured quantities are: the three phase voltages and currents that are displayed both in analogical (gauge) and digital forms to offer complete information on them (both quantitatively and qualitatively). The short-circuit impedance values are displayed for each phase and then their total value is also displayed.

The measurement ranges can be selected from the bottom of the user interface. Thus, the user can choose the measurement by means of the 5A shunts or by means of the current transformers with different types of measurement ranges (5A, 10A, 25A). This gives an accurate measurement of the quantities. If the measured quantities (voltage or current) exceed the measurement range selected by the user, the application warns the latter that he has to switch to a higher range.

This is also the area of the interface where the indicator signaling a possible data saving error can be found.

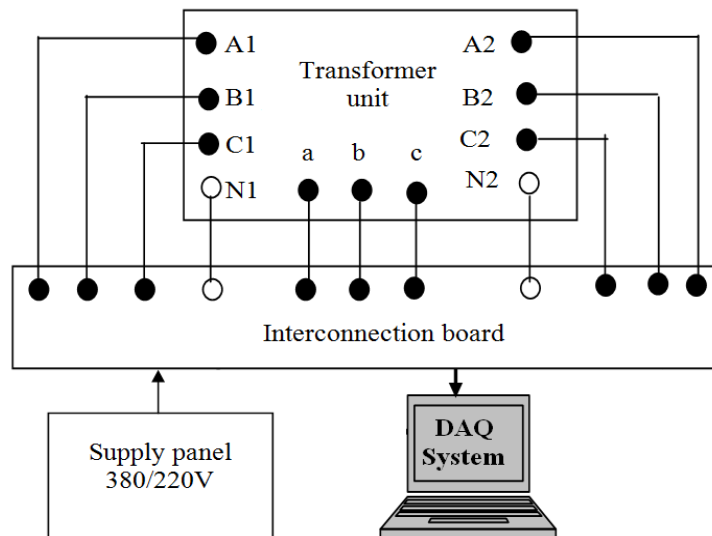


Fig. 1. The block diagram for the short-circuit impedance measurement at low voltages

The table where both the measured and the calculated data are recorded is in the upper right side of the user interface. Below this table a plotting area for the short-circuit impedance (Y axis) graphic representation with the tap position (X axis) is located.

The pushbuttons enabling the table data saving in an EXCEL type file, deletion of certain measurements from the table, insertion of the measured parameter values in the table, as well as the application closing are situated in the lower right side of the user interface.

The curves in Fig. 3 point out a good match between the values measured in the factory for a 4000 MVA transformer unit (using a high voltage power source) and the measurements carried out in a substation (using a low voltage power source).

For calculating the short-circuit impedances the designer can use both the analytical formulas and the specially developed calculation programs.

The analytical formulas [7] are more rapid but they consider only two windings through which the current flows. Consequently, the adjustment can be calculated only by coarse approximations.

A more precise method, nevertheless requiring a greater calculation effort, presupposes the determination of the equivalent diagram with the transformer short-circuit parameters concentrated on the short-circuit.

The first step consists in determining the own and mutual inductances and winding resistances on the basis of the input data (transformer geometry) [8]. The longitudinal and transversal capacitances can be also calculated although they are not relevant at low frequencies. If the calculation of the ohmic resistances is simple, inductance determination requires the electromagnetic static field calculation in the transformer window. For this there are both analytical solutions and calculation programs utilizing the finite element calculation method.

The second step is the generation of the node and side matrices of the equivalent circuit for the tested configuration. In the case of the three phase short-circuit

the equivalent diagram can be simplified to a single phase one. In this case, the nodes are earthed, the terminals are connected to the power source and the windings are short-circuited according to the short-circuit diagram. All the circuit elements are correspondingly arranged as matrix and vectors. The system inversion leads to the voltage determination in the circuit nodes, and short-circuit voltage between different pairs of windings (if there are any), respectively, as a function of the on-load tap changer position.

By means of this method the influence of the tap variation on the leakage flow in the transformer window and the short-circuit impedance variation, respectively, are considered.

Conclusions

The short-circuit impedance measurement between all the winding pairs and by each position of the on-load tap changer is imperiously necessary for:

- verifying the observance of the technical conditions, the designed ones included;
- verifying the possible nonconformities in the winding manufacturing;
- verifying the behavior of the winding operation on site (the measurement is performed in agreement with the norms in force);
- carrying out the system calculations and the short-circuit ones (including the correct protection regulation);
- verifying the loading of the same type, as well as a of different type transformer units.

The short-circuit impedance measurement can be performed by connecting the measurement installation to a low voltage (380/220V) source provided that highly accurate instrumentation enabling the automatic data processing is used.

The developed measurement installation enables a quick and precise on site measurement of the short-circuit impedance of the national power system transformer units.

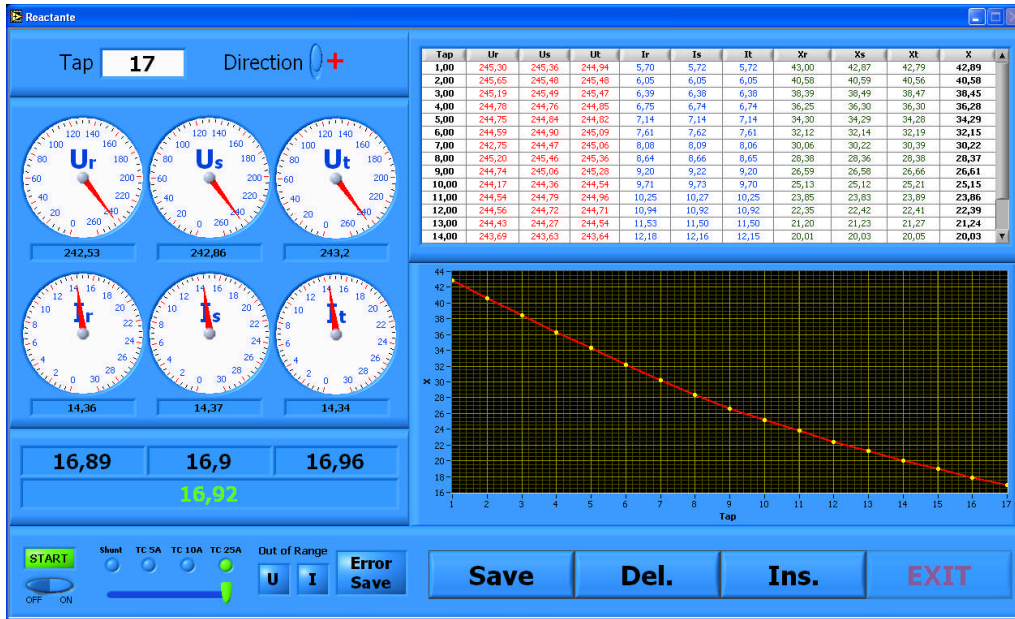


Fig. 2. The window application for the short-circuit impedance measurement

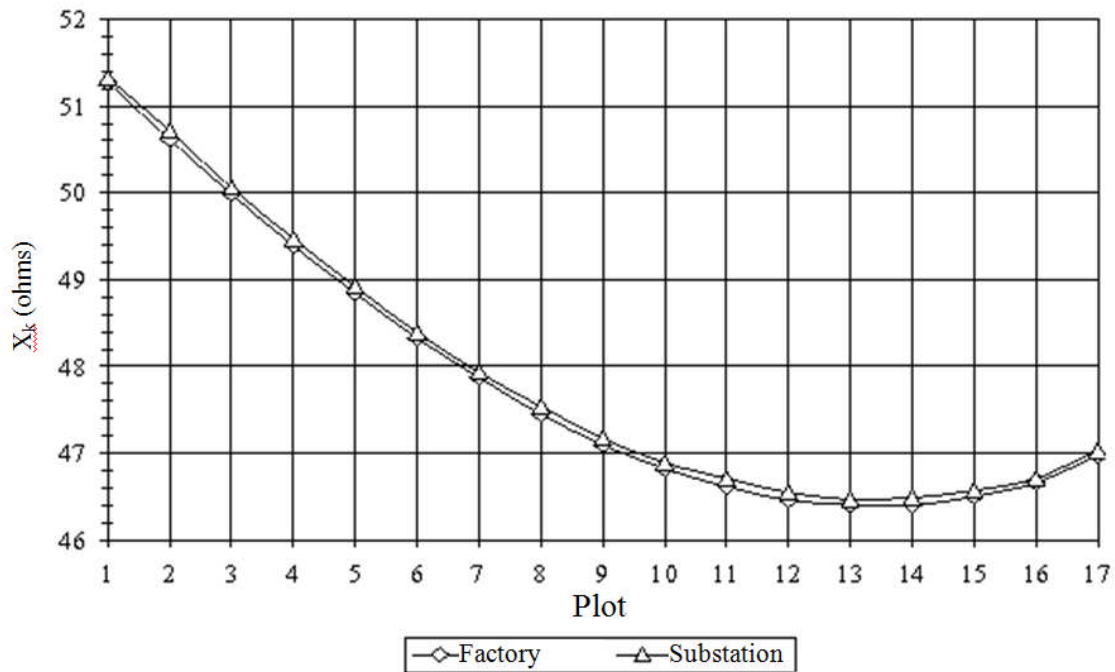


Fig. 3. The short-circuit impedance variation X_k with the tap position

References

1. IEC 60076-1 Edition 2.1./2000-04 Transformateurs de puissance- Partie 1:Generalite
2. IEC 60076-8/1997-10 Transformateurs de puissance – Guide d’application, Première édition
3. PE-116/94 Norm for testing and measurement in electrical installations
4. LabVIEW User Manual, National Instruments, April 2003

5. LabVIEW Development Guidelines; April 2003 Edition; National Instruments Corp. Austin, Texas, U.S.A.
6. LabVIEW Analysis Concepts, National Instruments, March 2004
7. C. Ghiță, “Electro-mechanic Convertors”, ICPE, 1998
8. A. Moraru, “Electrical circuits theory”, MatrixRom, 2002

Submitted for publication 2008 03 17

T. Chiulan, B. Pantelimon. Power Transformer Units Condition Assessment Using Virtual Instrumentation // Electronics and Electrical Engineering. – Kaunas: Technologija, 2008. – No. 6(86). – P. 97–100.

Knowledge of the short-circuit impedance variation is necessary for verifying the observance of the technical conditions (including the design conditions), certain nonconformities in the winding execution, checking the winding behavior in operation, verifying the system and short-circuit calculation (including the correct protection setup), the loading of the same type units, or more importantly, of the different type ones. The measurement of the short-circuit impedance by means of a three phase low voltage power source can be performed because the value of impedances does not depend on the applied voltage. ICEMENERG has developed a modern measurement system that has been used for performing a great amount of measurements, the results of which have been compared with those of the manufacturer's, and with those obtained by means of high voltage measurements. Il. 3, bibl. 8 (in English; summaries in English, Russian and Lithuanian).

Т. Чьулан, Б. Пантелимон. Оценка условия единиц трансформатора власти, используя действительную инструментровку // Электроника и электротехника. – Каунас: Технология, 2008. – № 6(86). – С. 97–100.

Знание изменения импеданса короткого замыкания необходимо чтобы проверить соблюдение технических условий (включая условия проекта), определенные несоблюдения во вьющемся выполнении, проверяя вьющееся поведение в операции, проверяя систему и вычисление короткого замыкания (включая правильную установку защиты), погрузка тех же самых единиц типа, или что еще более важно различных типа. Измерение импеданса короткого замыкания посредством трех фаз, низкий источник власти напряжения может быть выполнен, потому что ценность импедансов не зависит от прикладного напряжения. ICEMENERG развил современную систему измерения, которая использовалась чтобы выполнить большое количество размеров, результаты которых были по сравнению с таковыми из изготовителя, и с полученными посредством высоких размеров напряжения. Ил. 3, библи. 8 (на английском языке; рефераты на английском, русском и литовском.).

T. Chiulan, B. Pantelimon. Galios transformatorių darbo sąlygų vertinimas naudojant virtualius instrumentus // Elektronika ir elektrotechnika. – Kaunas: Technologija, 2008. – Nr. 6(86). – P. 97–100.

Būtina turėti žinių apie trumpojo jungimo impedanso pokyčius, kad būtų galima patikrinti, kaip paisoma techninių sąlygų. Trumpojo jungimo metu impedansas gali būti montuojamas naudojant trijų fazių žemos įtampos energijos šaltinį, nes impedanso vertė nepriklauso nuo įtampos. ICEMENERG sukūrė šiuolaikinę matavimo sistemą, kuri gali būti taikoma, kai tuo pačiu metu reikia atlikti daug matavimų. Rezultatai buvo palyginti su gamintojo duomenimis. Il. 3, bibl. 8 (anglų kalba; santraukos anglų, rusų ir lietuvių k.).

DOI: 10.5755/j02.eie.11194